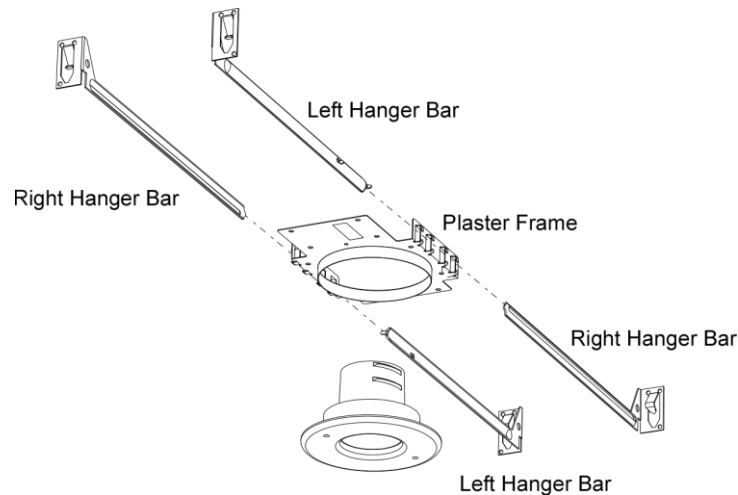


PLASTER FRAME KIT (UPC-86/286)



APPLICATION

The Unico System plaster frame kit (UPC-86/286) is designed for new construction or wherever the ductwork is installed prior to installation of drywall. It can serve as a positive locator for cutting the outlet hole and can support the outlet in a plaster ceiling.

FEATURES

The plaster frame is designed to fit between ceiling joists. The plaster frame uses nail-less captive hanger bars adjustable between 10 and 24-inches (25 to 61-cm).

ASSEMBLY

Insert the left hanger bar (with tabs) into the slots of the plaster frame. Slide the bar as far as it goes then snap the tabs through the slot of the right hanger bar. Complete the same procedure for the other side. This configuration can be adjusted between 14 and 24-inches (36 and 61-cm).

To fit between joists that are less than 14-inches (36-cm), the hanger bars must be cut. Use a hacksaw or metal snips to cut each hanger bar at the mark about 4-inches (10-cm) from the end.

Note: The tabs of the left hanger bar will be cut off when the 4-inches are removed.

INSTALLATION

Determine where the outlet will be placed. The center of the outlet should be as close as possible to 5-inches (12-cm) from any wall, out of the way of traffic patterns.

Position the plaster frame assembly so that the bottom of the plate will be flush with the ceiling. For wood joists hammer the hanger bar nailers to mount the assembly. Nails or screws may also be used if necessary.

Slide the plaster frame on the hanger bars to the proper position then bend the center tabs with a pliers to lock the frame in place.

With new construction it is usually desirable to pre-install the plenum system and tubing runs to the outlet locations before the drywall is installed. If necessary, remove the terminator from the attenuator assembly. Connect the attenuator to aluminum supply tubing if extended length is needed. Then connect the duct to the plenum. Run the duct so the attenuator protrudes through the plaster frame with enough slack, about 6-inches (15-cm), to connect the terminator. After the ceiling is finished, connect the terminator, push the excess tubing into the hole, and secure the terminator with the toggle screws.

If the plenum is accessible, the supply tubing may be left unconnected until after the terminator is mounted in the ceiling. In this case, pull the tubing to take up the slack and remove any excess tubing.

Likewise, the entire attenuator with terminator attached may be left unconnected until the ceiling is finished. Just connect the attenuator to the aluminum supply tubing and pull the duct up into the ceiling. Then secure the terminator with the toggle screws, remove any excess tubing at the plenum, and connect to the plenum takeoff.

CAUTION

To maintain proper airflow and sound levels always allow for a generous radius for all turns and bends in the supply tubing, especially at the outlet. The minimum radius is 6-inches (15-cm)

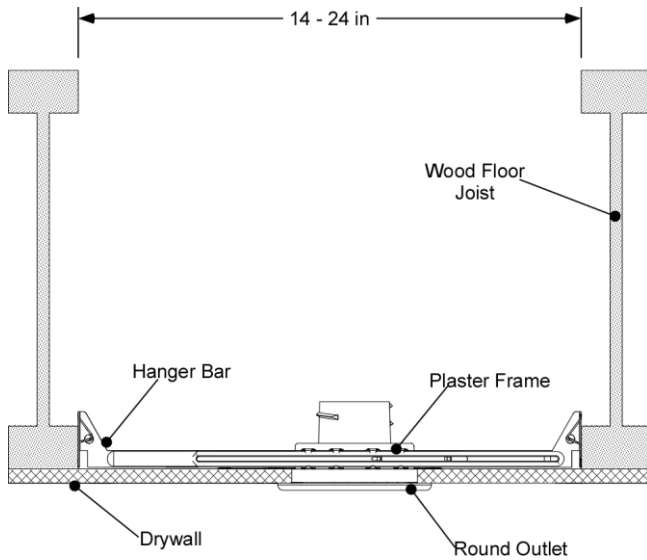


Figure 1. Typical Installation