

# UPC-101 Slotted Outlet Plenum Kit

## Application

The *Unico System* UPC-101 slotted takeoffs are specially designed to deliver air directly from the main plenum into a room. It is very useful if there is no space to run supply tubing and the plenum is covered by a soffit, or when exposed ductwork is utilized. It comes standard with a white rectangular plastic trim plate with a slotted opening for the nozzle portion of the outlet. The trim plate is the only part that is seen in the occupied space, and can be painted to match any decor.

## General

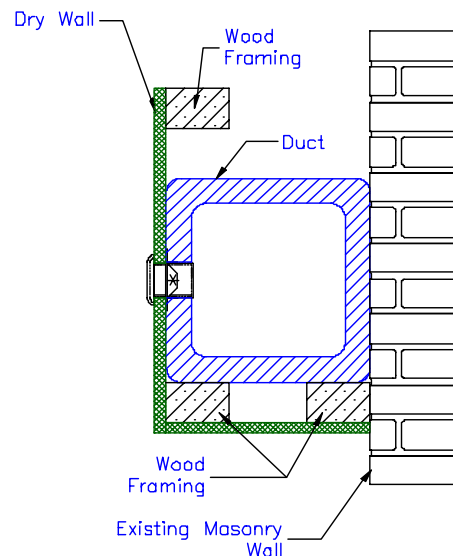
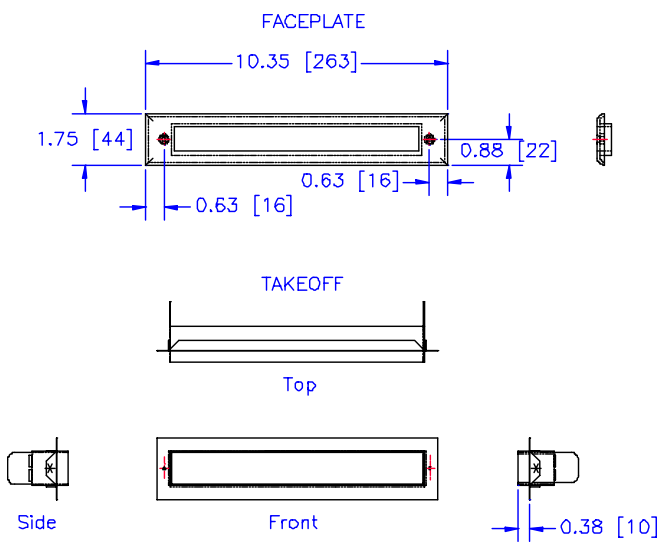
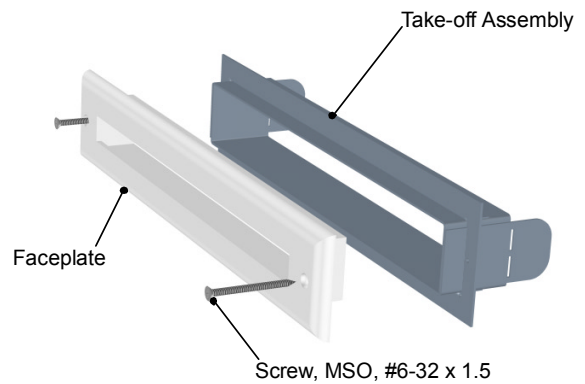
The *Unico System* slotted takeoff is made of galvanized sheet metal and is designed to fit the trimplate. The takeoff is designed for either a round or square 1-inch (25-mm) fiberglass main plenum. It is not intended for metal ductwork.

*NOTE: The main plenum must have an acoustical lining for proper sound attenuation.*

Always use at least 6 outlets per ton with a maximum of 35 CFM per outlet. For the best sound properties, design for 30 CFM per.

For wall installations the UPC-101 should be located high on the wall and a minimum of 5-inch (13-cm) below the ceiling. For ceiling installations locate it a minimum of 4-inches (10-cm) away from the adjacent wall.

The airflow can be checked with a TurboMeter positioned at the center of the outlet. Using the “knots” reading multiply the value by 4, then add 4. For example, if the TurboMeter indicates 7 knots, this would be  $(7 \times 4) + 4 = 32$  CFM.



**Figure 1. Slotted Outlet and Trim Plate Dimensions and Cross-Section (with Wall shown)**

Note — Specifications, ratings, and dimensions subject to change without notice.